



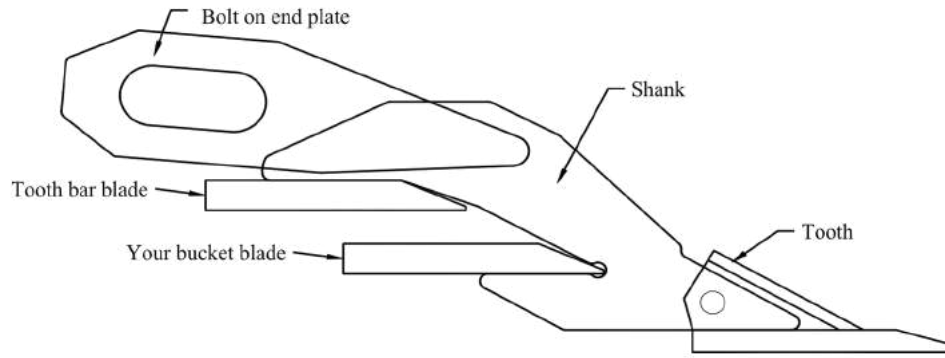
PRICE BOOK

Effective October 1, 2022

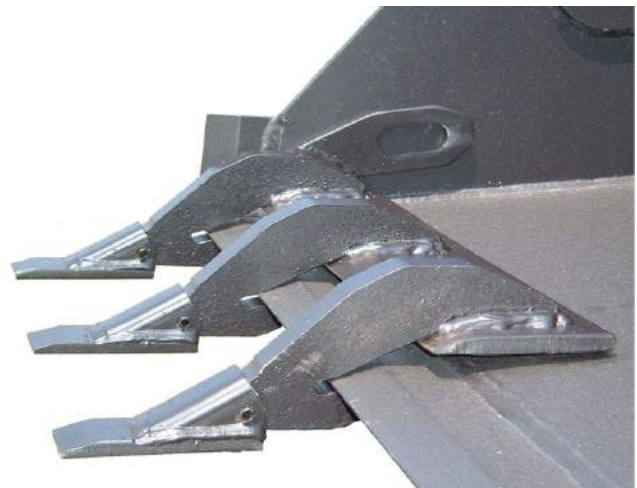
Tooth Bar Attachments	1 - 3
Standard Tooth Bar	1
Flat Bottom & Tapered Tooth Bar	2
Special & Industrial Tooth Bar	3
Wear Blade & Industrial Wear Blade	4
Fork Attachments	5 - 7
Bucket Forks	5
Fork Lift Attachments	6
Pallet Forks	7
Valve Kits	8
Rear Remote Kits	9
Top N Tilt	10
Comfort Ride	11
4N1 Buckets	12 - 18
HydroJaw 2	12
UltraJaw 2	13
UltraJaw 1	14
UltraJaw	15
HydroJaw	16
HydroJaw HD	17
UltraJaw X Low Profile	18
Grapples	19 - 25
Grapple Bucket	19
Open Bottom Grapple 1 & 2	20
Bolt on Grapple	21
Root Rake - Brush Grapple 3	22
Root Rake - Brush Grapple 2	23
Root Rake - Brush Grapple	24
Root Rake - Brush Grapple Dual	25
Fork Lift Grapple	26
Standard Buckets	27
Adaptor Plate	28
Front Blade	29
Front Blade X	30
Snow Pusher	31
Hay Equipment	32 - 34
Hay Accumulator	32
Hay Grapple	32
Grapalator	33
Bale Spear	33
Round Bale Mover	34
Tree Boom Attachment	35
Sod Roller	36
Tree Spade	37
Manure Fork	38



TOOTH BAR ATTACHMENT



- Fits over top and bottom of the cutting edge of the bucket and is secured by 2 3/4" bolts (included).
- Teeth are pinned to 1" thick shanks for easy replacement
- Does not work with bolt in blades.
- Tapered version available. See page 2.
- 1/2 x 4" cutting blade for all TBs
- No bolting or welding teeth individually.



You provide the inside dimension of your bucket and we custom make your tooth bar

Display version shown cut short and without hardware.

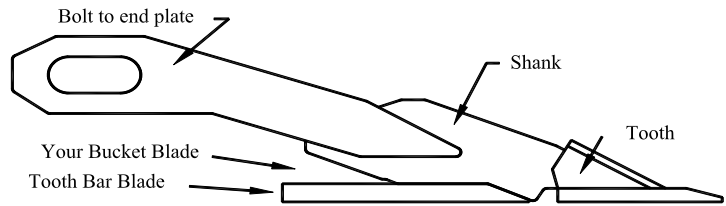
Model	Bkt. Width Range	Number of Teeth	Weight (Lbs.)	List Price
TB-40	34-1/8" to 44"	5	38	\$345
TB-50	44-1/8" to 54"	6	48	\$375
TB-60	54-1/8" to 64"	7	59	\$400
TB-70	64-1/8" to 74"	8	67	\$425
TB-80	74-1/8" to 84"	9	76	\$450

Replacement Tooth part number 8002A
 Replacement Pin part number rolpin5/16x1.75
 Provide the inside dimension of the bucket when placing order.



FLAT BOTTOM TOOTH BAR ATTACHMENT

- Features 1" shank and same teeth as standard Tooth Bar.
- Flat bottom edge allows for smoothing and back dragging.
- 1/2 x 4" cutting blade for all FTB's



Model	Bkt. Width Range	Number of Teeth	Weight (Lbs.)	List Price
FTB-40	34-1/8" to 44"	5	38	\$345
FTB-50	44-1/8" to 54"	6	48	\$375
FTB-60	54-1/8" to 64"	7	58	\$400

Replacement Tooth part number 8002A, Replacement Pin part number rolpin5/16x1.75
Provide the inside dimension of the bucket when placing order.

TAPERED TOOTH BAR

All the same features of the regular tooth bar line up except the end plates of the tooth bar are angled to accommodate the tapered ends plates of your bucket.

Use the Tapered Tooth Bar Worksheet when placing order.

Worksheet available [here](#) or on the website (click on the American Flag then number 9).

Model	Bkt. Width Range	Number of Teeth	Weight (Lbs.)	List Price
TBT-40	34-1/8" to 44"	5	38	\$345
TBT-50	44-1/8" to 54"	6	48	\$375
TBT-60	54-1/8" to 64"	7	59	\$400
TBT-70	64-1/8" to 74"	8	67	\$425
TBT-80	74-1/8" to 84"	9	76	\$450

FLAT BOTTOM TAPERED TOOTH BAR

Model	Bkt. Width Range	Number of Teeth	Weight (Lbs.)	List Price
FTBT-40	34-1/8" to 44"	5	38	\$345
FTBT-50	44-1/8" to 54"	6	48	\$375
FTBT-60	54-1/8" to 60"	7	58	\$400

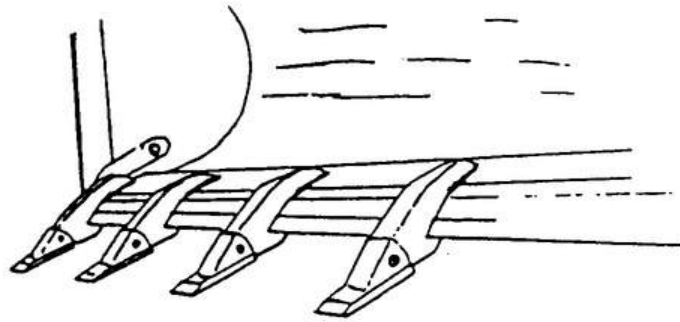
Replacement Tooth part number 8002A, Replacement Pin part number rolpin5/16x1.75



SPECIAL AND INDUSTRIAL TOOTH BAR ATTACHMENT

- Special Tooth Bars For Loaders up to 3,500 Pounds of Lift Capacity
- Industrial Tooth Bar For Loaders from 3,500 Pounds to 6,500 Pounds of Lift Capacity
- Made for Farm Loaders, Industrial Loaders, Skid Steers, and Track Loaders

You provide the inside dimension of your bucket and we custom make your tooth bar



- Fits over top and bottom of the cutting edge of the bucket and is secured by 2 3/4" bolts.
- Teeth for digging.
- No bolting or welding teeth individually.
- Shanks are 1-1/2 inch thick.
- STB is made with 1/2 x 4 Blade Material and teeth are secured to shanks with pins for easy replacement.
- ITB is made with 5/8 x 6 Blade Material and teeth are secured to shanks with flex pins for easy replacement.

Model	Bkt. Width Range	Number of Teeth	Weight (Lbs.)	List Price
STB-60	54-1/8" to 64"	7	117	\$505
STB-70	64-1/8" to 74"	8	133	\$550
STB-80	74-1/8" to 84"	9	151	\$605
STB-90	84-1/8" to 94"	10	169	\$650

Model	Bkt. Width Range	Number of Teeth	Weight (Lbs.)	List Price
ITB-70	69-1/8" to 79"	7	147	\$680
ITB-80	79-1/8" to 89"	8	163	\$705
ITB-90	89-1/8" to 99"	9	169	\$725

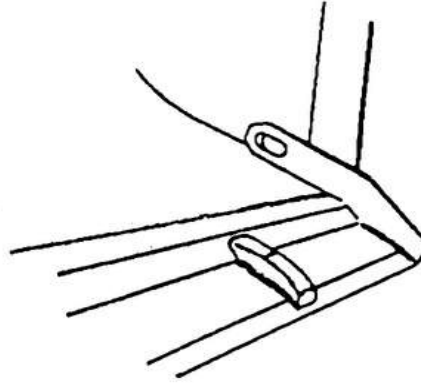
Replacement Tooth part number 8023, Replacement Pin part number rolpin5/16x1.75 for STB and RP-H23 for ITB.

Provide the inside dimension of the bucket when placing order.



WEAR BLADE ATTACHMENT AND INDUSTRIAL WEAR BLADE ATTACHMENT

- Wear Blade for Loaders up to 3,500 Pound Lift Capacity
- Industrial Wear Blade for Loaders from 3,500 to 6,500 Pound Lift Capacity
- Fits most subcompact, compact, farm, industrial loaders, track loaders, mini skid steer and skid steer buckets new or used



You provide the inside dimension of your bucket and we custom make your wear blade

- Fits over top and bottom of the cutting edge of the bucket and is secured by 2 3/4" bolts.
- Protects the cutting edge of the bucket, particularly when skidding on pavement.
- Replace wear blade in 5 to 10 minutes, instead of having down time while taking the bucket to a shop and cutting out the old blade and welding in a new blade.
- Wear blade is 5/8 x 6 High Carbon Steel.
- Industrial Wear blade is 3/4 x 6 High Carbon Steel.

Model	Bkt. Width Range	Weight (Lbs.)	List Price
WB-40	34-1/8" to 44"	50	\$250
WB-50	44-1/8" to 54"	56	\$260
WB-60	54-1/8" to 64"	70	\$270
WB-70	64-1/8" to 74"	78	\$280
WB-80	74-1/8" to 84"	88	\$295
WB-90	84-1/8" to 96"	98	\$305

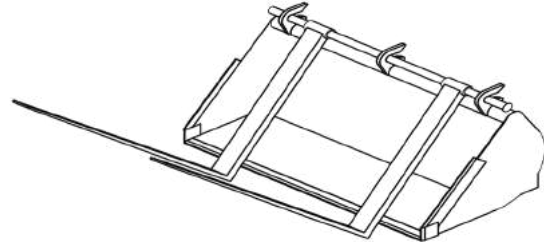
Model	Bkt. Width Range	Weight (Lbs.)	List Price
IWB-70	69-1/8" to 79"	106	\$375
IWB-80	79-1/8" to 89"	113	\$385
IWB-90	89-1/8" to 99"	120	\$395

Provide the inside dimension of the bucket when placing order.



BUCKET FORKS FOR SUBCOMPACT, COMPACT, FARM, INDUSTRIAL LOADERS, MINI SKID STEERS, AND SKID STEERS

- Up to 6,500 Lbs. capacity at 21 Inch load center.
- Changes from front-end loader to fork lift in seconds.
- Mounts without tools or labor.
- Solid high carbon steel forks.
- Extra brackets available for using forks on more than 1 bucket.



Hook - On Forks for Subcompact Loaders and Mini Skid Steers. 1-1/4" Rod

Model	Capacity (Lbs.)	Fork Length	Weight (Lbs.)	List Price
HOL-42	2,000	42"	157	\$695
Extra set of Mounting Brackets (HOL-MOUNT-3)			10	\$135

Hook - On Forks for Farm Loaders, Compact Loaders and Skid Steers 1-1/2" Rod

Model	Capacity (Lbs.)	Fork Length	Weight (Lbs.)	List Price
HO-48	4,000	48"	274	\$905
Extra set of Mounting Brackets (HO-MOUNT-3)			12	\$145

Hook - On Forks For Industrial Loaders 1-3/4" Rod

Model	Capacity (Lbs.)	Fork Length	Weight (Lbs.)	List Price
IHO-48-45	4,500	48"	336	\$1,215
IHO-48-65	6,500	48"	380	\$1,375
Extra set of Mounting Brackets (IHOMOUNT-3-.750)			18	\$180
Extra set of Mounting Brackets (IHOMOUNT-4-.750)			24	\$195

Fold-over Forks for Loader - Backhoes and Wheel Loaders up to 6,500 Lb. Lift Capacity 1-3/4" Rod

- Forks mount on Bucket for quick use and then fold-over and latch for easy storage
- Works on standard type buckets or 4-N-1 type buckets.
- Converts bucket to handle pipe, logs, lumber, etc.
- Capacity - 6,500 Lbs. at (21 inch load center)

Model	Capacity (Lbs.)	Fork Length	Weight (Lbs.)	List Price
IFO-42-65	6,500	42"	420	\$1,495



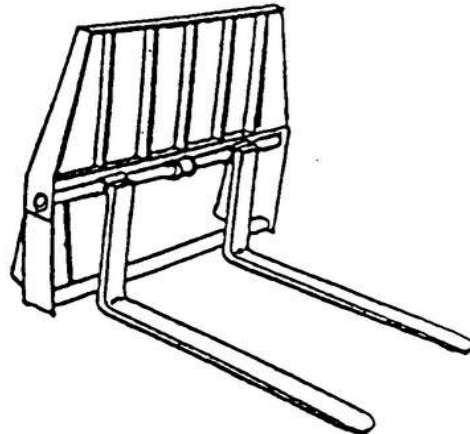
FORK LIFT ATTACHMENT

For Subcompact, Compact, Farm, Industrial Loaders, Mini Skid Steers, and Skid Steers

- Back guard is standard equipment
- Made to fit more than 800 makes and models.
- Additional forks can be added if needed.

FAL

- For mini skid steers and sub compact tractors Solid high carbon steel forks - 42 inches long.
- Forks adjustable from 12" to 46".
- Capacity - 2,000 pounds at 18 inch load center.



FA

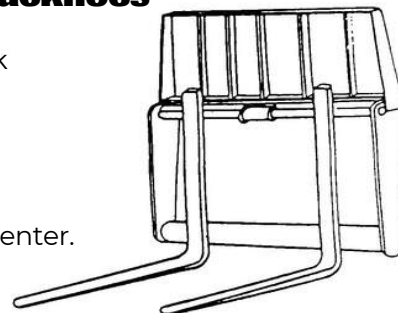
- For tractor loaders from 30 HP to 60 HP.
- Solid high carbon steel forks - 48 inches long.
- Forks adjustable from 12" to 51".
- Capacity - 4,000 pounds at 21 inch load center.

Model	Width	Capacity (Lbs.)	Fork Length	Weight (Lbs.)	List Price
FAL-42	12" to 46"	2,000 Max	42"	268	\$935
FA-48	12" to 51"	4,000 Max	48"	388	\$1,090
BSXFA	Kit to convert FA to Bale Spear 49.25"			49	\$275

FORK LIFT ATTACHMENT

For Industrial Loaders and Backhoes

- Made for Industrial Loaders, Larger Skid Steers, and Track Loaders
- Gives excellent view of forks.
- Forged forks are heat treated to exact specifications.
- 4,500 pound or 6,500 pound lift capacity at 21 inch load center.



Model	Width	Capacity (Lbs.)	Fork Length	Weight (Lbs.)	List Price
IFA-48-45	12" to 48"	4,500 Max	48"	589	\$2,025
IFA-42-65	20" to 48"	6,500 Max	42"	634	\$2,070
IFA-48-65	20" to 48"	6,500 Max	48"	648	\$2,130



PALLET FORKS

For Loaders and Skid Steers with lift capacities up to 4,000 Pounds

- Class 2 Locking Forks
- Back guard is standard equipment
- Made to fit more than 800 makes and models.
- Additional forks can be added if needed.
- Solid high carbon steel forks - 42 or 48 inches long.
- Forks adjustable from 15" to 40".
- Capacity - 4,000 pounds at 21 inch load center.
- Gives excellent view of forks.
- Can easily be converted to a bale spear



Model	Width	Fork Length	Capacity (Lbs.)	Weight (Lbs.)	List Price
PF-42	14" to 40"	42"	4,000	368	\$1,075
PF-48	14" to 40"	48"	4,000	376	\$1,085
BSXPF	Kit to convert PF to Bale Spear 49.25"			49	\$275

LIGHT PALLET FORKS

For Sub-Compact Tractors and Mini Skid Steers with lift capacities up to 2,000 Pounds

- Class 2 Locking Forks
- Back guard with LONG logo is standard
- Made to fit make and model requested
- Additional forks can be added if needed.
- Solid high carbon steel forks 42 inches long.
- Forks adjustable from 7" to 40".
- Capacity - 2,000 pounds
- Fork frame sits 36" tall



Model	Width	Fork Length	Capacity (Lbs.)	Weight (Lbs.)	List Price
PFL-42	7" to 40"	42"	2,000	257	\$935



VALVE KITS

W.R. Long provides valve kits for most subcompact, compact, farm, utility, and light industrial loaders. Valve kits include the valve, handle with switch, hydraulic hoses with fittings, mounting bracket, quick connects, bulk head plate, and instructions. Valve kits are custom designed to fit your specific loader. Part numbers available by request.

Live 3rd Function Valve Kits

The live 3rd function valve kit is fed by the power beyond port of your existing loader valve. The kit includes a molded hand grip with two buttons, one button to open the attachment and the second to close the attachment. This valve kit gives you the ability to open/close your attachment while you raise/lower and/or dump/curl your attachment, just as long as there is hydraulic fluid being provided to the W R Long valve from the power beyond port of the loader valve. The molded hand grip is designed to slide over your loader joy stick and is secured with two set screws.



Model	List Price
Live 3rd Function Valve kit with implement flow rate up to 12 GPM	\$925
Live 3rd Function Valve kit with implement flow rate up to 20 GPM	\$1,045

Selector Valve Kit

The selector valve kit includes a handle with a red push button switch. When the red push button is depressed the hydraulic fluid is diverted from the up and down motion of the loader to the open and close motion of the attachment. The kit includes a mounting bracket for the valve and is usually mounted on the right loader arm. Hydraulic hoses, Quick Connects, Bulk Head Plate and instructions are included.

Model	List Price
Selector Valve Kit with implement flow rate up to 18 GPM	\$820
Selector Valve Kit with implement flow rate up to 30 GPM	\$1,090
Upgrade to Flat Face Quick Coupler (HQFF)	\$85
Cap Set for Flat Face Coupler (FFCovers)	\$25



REAR REMOTE KITS

The W. R. Long Rear Remote kits are available with one, two, three, or four rear remotes. One of these rear remotes can be used as a live 3rd function.



Key Benefits

- **Simple Installation:** The rear remote valves mount on the back of the tractor. Valves plug directly into switchbox.
- **Heavy Duty Rocker Switches:** Each rear remote is equipped with individual rocker switches mounted on the switch box to operate the rear remote valve.
- **Bypass Valve Technology:** Our innovative bypass valve reduces potential pressure drop and temperature rise in your hydraulic system.
- **High Quality Valve:** We use the same high quality valve that we have been using for 20 years on our Live 3rd Function kit.
- **3rd Function Integration:** Upgrade available to use one valve as your live third function.
- **Float Function:** Activated by the selector switch, the float function adds an extra layer of versatility.
- **Continuous Flow Feature:** Unlock continuous flow capability with any kit.
- **Kit comes with pre-assembled valve, manifold, quick connects, and electrical harness along with switch box and hoses to your tractor.**



Switch box

Rear Remotes	List Price
Kit with 1 Valve	\$1,150
Kit with 2 Valves	\$1,300
Kit with 3 Valves	\$1,500
Kit with 4 Valves	\$1,700
Make one of your valves a 3rd function: Includes handle, bulk head brackets, hoses, and quick connects.	+ \$375



HYDRAULIC TOP 'N TILT KITS

- Welded Construction Cylinders.
- Top and Side Links custom made to your specific tractor.
- Hose kits with 1/2" ag quick couplers included. Other sizes available.
- Restrictors included to provide smooth operation of hydraulic link.



Cylinder Diameter	3 Point Hitch Lift Capacity	List Price
Top Link		
2"	Up to 3,000 Lb. lift rating	\$480
2-1/2"	From 3,000 - 4,000 Lb. lift rating	\$520
3"	From 4,000 - 8,000 Lb. lift rating	\$690
Side Link		
2"	Up to 3,000 Lb. lift rating	\$650
2-1/2"	From 3,000 - 4,000 Lb. lift rating	\$725
3"	From 4,000 - 8,000 Lb. lift rating	\$825
Remove Hose Kit		- \$75
Remove Restrictors		- \$15

- Optional Slot Guide available for Side Links
 - 2" Cylinder: \$225
 - 2-1/2" Cylinder: \$275
 - 3" Cylinder: \$325



COMFORT RIDE



- Two nitrogen charged accumulators are included. One for lighter loads and the other for heavier loads.
- Helps dampen the up and down jolting motion of your loader.
- Kit includes two Accumulators, Ball Valve, Bracket, Hose, Fittings, and hardware.
- By reducing the jolting action, the stress imposed on your tractor from your loader is reduced.
- Ball Valve included so that the system can be engaged or disengaged.
- CR10 for tractors up to 60 hp. CR20 for tractors from 60 to 125 hp.

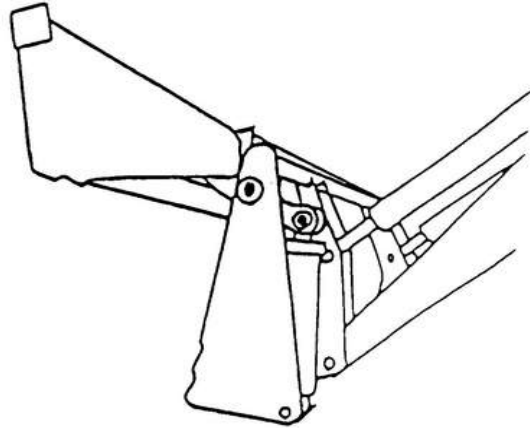
Model	Weight (Lbs.)	List Price
CR10	10	\$520
CR20	14	\$580



HYDROJAW 2

4N1 Bucket For Mini Skid Steer, Subcompact, and Compact Tractor Loaders

- Increased tractor loader productivity two to three times over standard bucket.
- Three high carbon steel blades, two on jaw, one on bulldozing moldboard.
- Heat treated bushings with plated stress proof pins.
- Two heavy duty hydraulic cylinders deliver a 3,000 pound bite to the jaw.
- Jaw opens to 22-1/2 inches.
- Hoses with Ag Style 1/2" quick couplers included.
- The Universal Mount (Skid Steer Mount) requires a minimum 60" width HJ2 4N1 Bucket.



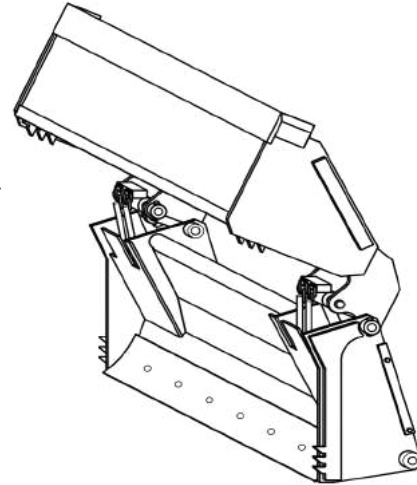
Model	Width	Capacity Cu.Ft.	Weight (Lbs.)	List Price
HJ2L-40	40"	5.6	244	\$2,235
HJ2L-48	48"	7	250	\$2,250
HJ2L-54	54"	8	265	\$2,335
HJ2-54	54"	8	322	\$2,570
HJ2-60	60"	9	340	\$2,615
HJ2-66	66"	10	359	\$2,710
HJ2-72	72"	11.1	380	\$2,800
Weld on Tooth & Shank Assembly, 1" Wide (A-137)			3.5	\$35
Live 3rd Function Valve Kit (12 GPM)				\$925
Selector Valve Kit (18 GPM)				\$820
Upgrade to Flat Face Quick Coupler (HQFF)				\$85



ULTRAJAW 2

4N1 Bucket for Compact Tractor Loaders

- UJ2 for loaders with lift capacity up to 2,200 pounds.
- Increased tractor loader productivity two to three times over standard bucket.
- Three high carbon steel blades, two on jaw, one on bulldozing moldboard. Bulldozer blade is reversible bolt on.
- Aggressive gripping teeth on Bucket & Jaw.
- Heat treated bushings with plated stress proof pins.
- Two heavy duty hydraulic cylinders deliver a 3,000 pound bite to the jaw.
- Jaw opens to 34 inches, much bigger opening for better grappling.
- Hoses with Ag Style 1/2" quick couplers included.
- Cylinders are 2-1/2 inch diameter by 7 inch stroke.
- Cylinders are shielded front and rear.
- Two clean out rods mounted on each hydraulic cylinder prevent material from packing between the hydraulic cylinder and the bucket.



Model	Width	Capacity Cu.Ft.	Weight (Lbs.)	List Price
UJ2-60	60"	9.5	445	\$2,880
UJ2-66	66"	10.6	480	\$2,975
UJ2-72	72"	11.7	515	\$3,070

Upgrade to Flat Face Quick Coupler (HQFF)	\$85
Live 3rd Function Valve Kit (12 GPM)	\$925
Selector Valve Kit (18 GPM)	\$820

Designed for Compact Utility Loaders

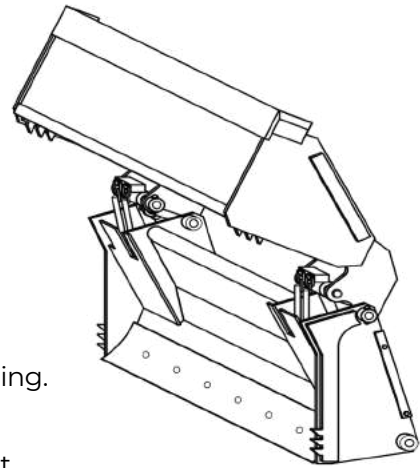
Model	Width	Capacity Cu.Ft.	Weight (Lbs.)	List Price
UJ2LP-36	36"	6.5	400	\$2,715
UJ2LP-44	44"	8.4	435	\$2,805
UJ2LP-48	48"	9.3	450	\$2,865
UJ2LP-52	52"	10.2	465	\$2,900
UJ2LP-60	60"	11.9	500	\$2,985
Weld on Tooth & Shank Assembly, 1" Wide (A-137)			3.5	\$35



ULTRAJAW 1 and UJ1X

4N1 Bucket for Farm, Utility, and Light Industrial Type Loaders

- UJ1 for loaders with lift capacity up to 3,000 pounds.
- UJ1X for loaders with lift capacities up to 4,000 pounds.
- Bolt on reversible dozer cutting edge (1/2" x 6").
- X Models have a pre drilled front cutting edge
- Cylinders are shielded front and rear.
- Three high carbon steel cutting edges.
- Aggressive gripping teeth on Bucket & Jaw.
- Heat treated bushings with plated stress proof pins.
- Cylinders are 2-3/4 inch diameter by 8-7/8 inch stroke.
- Jaws open to 45 inches, much bigger opening for better grappling.
- Hoses with Ag Style 1/2" quick couplers included.
- Two clean out rods mounted on each hydraulic cylinder prevent material from packing between the hydraulic cylinder and the bucket



Model	Width	Capacity Cu.Ft.	Weight (Lbs.)	List Price
UJ1-60	60"	14.7	656	\$3,525
UJ1-66	66"	16.4	691	\$3,630
UJ1-72	72"	18.1	727	\$3,745
UJ1-76	76"	19.2	751	\$3,855
UJ1X-72	72"	18.1	788	\$4,025
UJ1X-78	78"	19.8	829	\$4,150
UJ1X-84	84"	21.5	870	\$4,270

Weld on Tooth & Shank Assembly, 1" Wide (A-137)	3.5	\$35
Live 3rd Function Valve Kit (12 GPM)		\$925
Live 3rd Function Valve Kit (20 GPM)		\$1,045
Selector Valve Kit (18 GPM)		\$820
Selector Valve Kit (30 GPM)		\$1,085
Upgrade to Flat Face Quick Coupler (HQFF)		\$85

UJ1X Models 4N1 Buckets Only

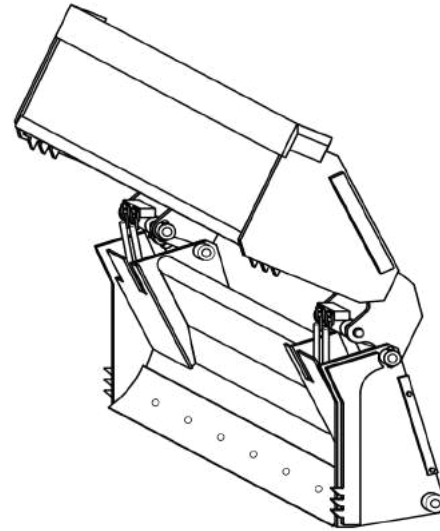
Tooth & Shank Assy (Tooth&Shank156) Bolt On w/Hardware	7	\$45
72" Bolt On Cutting Edge w/8 bolts (UJXBLDBDL72)	77	\$225
78" Bolt On Cutting Edge w/9 bolts (UJXBLDBDL78)	82	\$245
84" Bolt On Cutting Edge w/9 bolts (UJXBLDBDL84)	86	\$260



ULTRAJAW UJ and UJX

4N1 Bucket for Light Industrial Loaders, Utility Loaders, and Small Wheel Loaders

- UJ for loaders with lift capacity up to 4,000 pounds.
- UJX for loaders with lift capacity up to 5,500 pounds.
- Bolt on reversible cutting edge on dozer (1/2" x 6").
- Jaws open to 42 inches, bigger opening for better grappling.
- X Models have a pre drilled front cutting edge
- Three high carbon steel cutting edges.
- Aggressive gripping teeth on Bucket & Jaw.
- Heat treated bushings with plated stress proof pins.
- Cylinders are 3 inch diameter by 9-3/4 inch stroke.
- Cylinders are shielded front and rear.
- Hoses with Ag Style 1/2" quick couplers included.
- Two clean out rods mounted on each hydraulic cylinder prevent material from packing between the hydraulic cylinder and the bucket



Model	Width	Capacity Cu.Ft.	Weight (Lbs.)	List Price
UJ-66	66"	18.5	790	\$4,040
UJ-72	72"	20.5	828	\$4,225
UJX-72	72"	20.5	940	\$4,570
UJX-78	78"	22.4	988	\$4,760
UJX-84	84"	24.3	1,035	\$4,940

Live 3rd Function Valve Kit (20 GPM)	\$1,045
Selector Valve Kit (30 GPM)	\$1,085
Upgrade to Flat Face Quick Coupler (HQFF)	\$85

UJX Models 4N1 Buckets Only

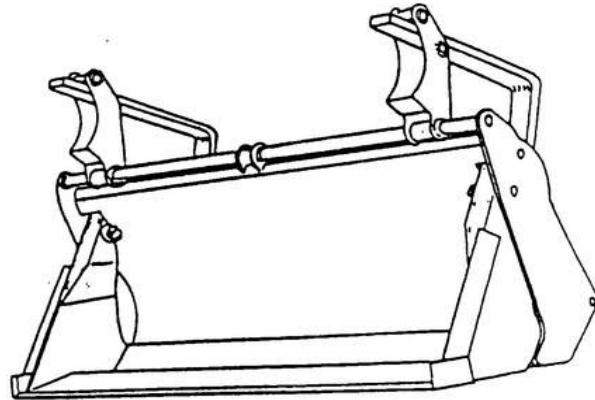
Tooth & Shank Assy (Tooth&Shank156) Bolt On w/Hardware	7	\$45
72" Bolt On Cutting Edge w/8 bolts (UJXBLDBDL72)	77	\$225
78" Bolt On Cutting Edge w/9 bolts (UJXBLDBDL78)	82	\$245
84" Bolt On Cutting Edge w/9 bolts (UJXBLDBDL84)	86	\$260



HYDROJAW

4N1 Bucket for Industrial Loader - Backhoes

- Made to fit Industrial Loaders
- Reinforced jaw for heavy work.
- Dozer has smooth moldboard, no sharp edges.
- Three high carbon steel cutting edges (3/4 x 8).
- Heat treated bushings with plated stress proof pins.
- Cylinders are 3 inch diameter by 7-1/2 inch stroke, 2 inch rod.
- Hoses with Ag Style 1/2" quick couplers included.



Model	Width	Capacity Cu. Yards	Weight (Lbs.)	List Price
HJHI-84	84"	1.20	1,457	\$6,030
HJHI-88	88"	1.27	1,471	\$6,320
HJHI-92	92"	1.33	1,518	\$6,625

Weld on Tooth & Shank Assembly, 1-1/2" Wide (A-140)	7	\$45
Upgrade to Flat Face Quick Coupler (HQFF)		\$85

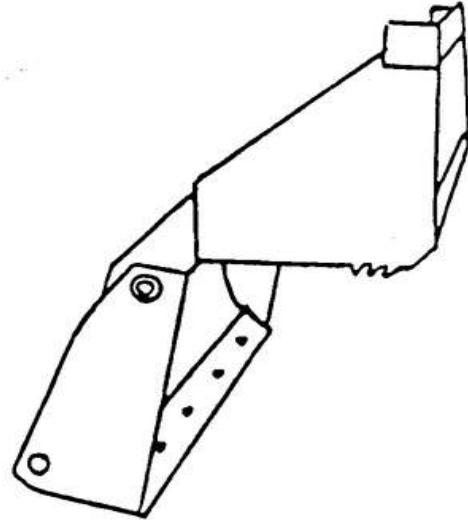
- Prices are based on four pin hook-up with four mounting brackets.
- [See Page 5 for Optional Fold Over Forks](#)



HYDROJAW HD

4N1 Bucket for Skid Steer Loaders, Utility Loaders, and Small Wheel Loaders

- Bolt on reversible cutting edge on dozer (1/2" x 6").
- Serrated teeth on end plate for firmer hold.
- Jaw opens to 36 inches.
- Dozer has smooth moldboard, no sharp angles. Three high carbon steel cutting edges.
- Heat treated bushings with plated stress proof pins.
- Cylinders 2-1/2 inch bore with 8 inch stroke.
- Hoses with 1/2" Flat Face Couplers included.



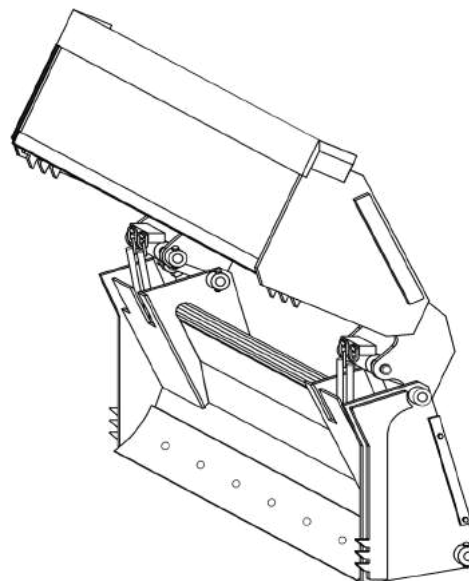
Model	Width	Capacity Cu.Ft.	Weight (Lbs.)	List Price
HD-60	60"	13.6	670	\$3,770
HD-66	66"	15.1	710	\$3,960
HD-72	72"	16.7	748	\$4,145
HDX-78	78"	18.3	908	\$4,550
HDX-84	84"	19.9	955	\$4,715

Cap Set for Flat Face Coupler (FFCovers)		\$25
Weld on Tooth & Shank Assembly, 1" Wide (A-137)	3.5	\$35
Weld on Tooth & Shank Assembly, 1-1/2" Wide (A-140)	7	\$45



ULTRAJAW X LOW PROFILE 4N1 Bucket for Track Loaders

- For Track Loaders with Tipping Capacity from 4,000 to 10,000 Lbs.
- Bolt on reversible cutting edge on dozer (1/2" x 6").
- Jaws open to 42 inches, bigger opening for better grappling.
- Pre drilled front cutting edge for teeth or additional cutting edge
- Three high carbon steel cutting edges.
- Heat treated bushings with plated stress proof pins.
- Cylinders are 3 inch diameter by 9-3/4 inch stroke.
- Larger cylinders for long life.
- Cylinders are shielded front and rear.
- Hoses with 1/2" Flat Face Couplers included.



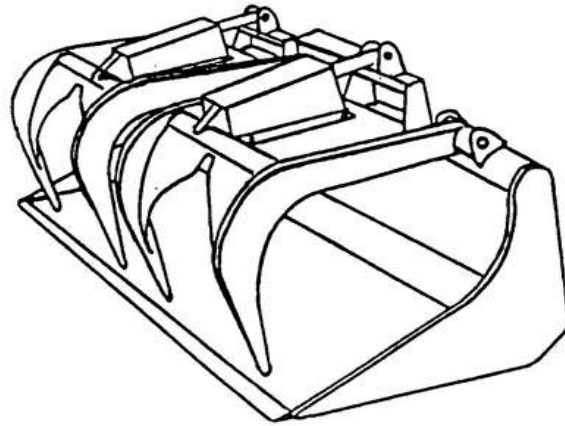
Model	Width	Capacity Cu.Ft.	Weight (Lbs.)	List Price
UJXLP-72	72"	17.6	940	\$4,570
UJXLP-78	78"	19.4	988	\$4,760
UJXLP-84	84"	21.1	1,035	\$4,940

Tooth & Shank Assy (Tooth&Shank156) Bolt On w/Hardware	7	\$45
Cap Set for Flat Face Coupler (FFCovers)		\$25
72" Bolt On Cutting Edge w/8 bolts (UJXBLDBDL72)	77	\$225
78" Bolt On Cutting Edge w/9 bolts (UJXBLDBDL78)	82	\$245
84" Bolt On Cutting Edge w/9 bolts (UJXBLDBDL84)	86	\$260



GRAPPLE BUCKET

- Fits most Skid Steer, Farm and Industrial Loaders
- Ideal for handling scrap, logs, brush, pipe, recyclable materials, etc.
- Grapple tines open 36 inches. Dual cylinders for better control of uneven loads.
- Hoses with Ag Style 1/2" quick couplers included.



Model	Width	Weight (Lbs.)	List Price
GPL-40	40" Single Grapple for Compact Utility Loaders		\$2,865
GPL-60	60"	490	\$3,420
GPL-66	66"	520	\$3,540
GPL-72	72"	550	\$3,675
GP-60	60"	760	\$3,870
GP-66	66"	810	\$4,040
GP-72	72"	850	\$4,220
GP-78	78"	900	\$4,385
GP-84	84"	960	\$4,565

Upgrade to Flat Face Quick Coupler (HQFF)		\$85
Cap Set for Flat Face Coupler (FFCovers)		\$25
Weld on Tooth & Shank Assembly, 1" Wide (A-137)	3.5	\$35
Weld on Tooth & Shank Assembly, 1-1/2" Wide (A-140)	7	\$45
Live 3rd Function Valve Kit (12 GPM)		\$925
Live 3rd Function Valve Kit (20 GPM)		\$1,045
Selector Valve Kit (18 GPM)		\$820
Selector Valve Kit (30 GPM)		\$1,085



OPEN BOTTOM GRAPPLE - 1 and 2

The **OBG2** is for Tractor Loaders with lift capacities to 2,200 Lbs & skid steers with lift capacities to 1,800 Lbs

The **OBG1** is for Tractor Loaders with lift capacities to 3,500 Lbs & skid steers with lift capacities to 2,500 Lbs



- Ideal for handling scrap, logs, limbs, brush, pipe, recyclable materials, trash, etc.
- Light weight and strong.
- OBG2 Grapple tines open 44 inches.
- OBG1 Grapple tines open 47 inches.
- Bottom open to allow dirt to fall through.
- Tine spacing 8".
- Single grapple on 48" model.
- Dual grapples on 56", 64", 72" & 80" for better control of uneven loads.
- Hoses w/Ag Style 1/2" quick couplers included.



Model	Width	Number of Grapples	Weight (Lbs.)	List Price
OBG2-48	48"	1	357	\$2,005
OBG2-56	56"	2	460	\$2,530
OBG2-64	64"	2	490	\$2,705
OBG2-72	72"	2	520	\$2,870
OBG1-64	64"	2	656	\$3,600
OBG1-72	72"	2	685	\$3,810
OBG1-80	80"	2	735	\$4,025

Upgrade to Flat Face Quick Coupler (HQFF)	\$85
Cap Set for Flat Face Couple (FFCovers)	\$25
Live 3rd Function Valve Kit (12 GPM)	\$925
Live 3rd Function Valve Kit (20 GPM)	\$1,045
Selector Valve Kit (18 GPM)	\$820



BOLT ON GRAPPLE

- Fits most Compact, Subcompact, and Farm Loaders buckets
- Ideal for handling scrap, logs, brush, pipe, debris, etc.
- Grapple tines open 30 inches depending on bucket that the grapple is added to.
- Hoses with Ag Style 1/2" quick couplers included.
- BOG Light Single for small Sub-Compact Tractor Loaders



Model	Width	Weight (Lbs.)	List Price
BOGL-SINGLE	48" to 60"	133	\$1,005
BOG-SINGLE	48" to 60"	143	\$1,045
BOG-DUAL	60" to 72"	230	\$1,415
BOG-DUALX	72" to 84"	410	\$1,995
BOG-DUALXX	84" to 96"	500	\$2,105

Live 3rd Function Valve Kit (12 GPM)	\$925
Selector Valve Kit (18 GPM)	\$820
Upgrade to Flat Face Quick Coupler (HQFF)	\$85



ROOT RAKE - BRUSH GRAPPLE 3 For Sub Compact, Compact Loaders

RBG3

- Ideal for tree service work, lot clearing, trash removal, demolition, etc. Load center is closer to the loader than on other types of grapples.
- Hoses with Ag Style 1/2" quick couplers included.
- Heat treated bushings with plated stress proof pins.
- Replaceable rake teeth made with high carbon steel.
- Grapple opens to 39 inches. Closes completely.
- Two 2 x 6 inch hydraulic cylinders.
- Upper and lower tines serrated and made out of AR400.
- 40" model is for Compact Utility Loaders
- 48", 56" and 60" models are for Sub-Compact and Compact Tractors up to 40HP.



Model	Width	Rake Teeth	Weight (Lbs.)	List Price
RBG3-40	40"	6	190	\$2,390
RBG3-48	48"	7	213	\$2,400
RBG3-56	56"	8	238	\$2,500
RBG3-64	64"	9	253	\$2,600

Upgrade to Flat Face Quick Coupler (HQFF)	\$85
Cap Set for Flat Face Coupler (FFCovers)	\$25
Live 3rd Function Valve Kit (12 GPM)	\$925

Replacement Tooth Pin On (8075) (ROLPIN3/8X1.25)



ROOT RAKE - BRUSH GRAPPLE 2

For Sub Compact, Compact, and Farm Loaders

RBG2

The Root Rake Brush Grapple 2 “RBG2” is for loaders with lift capacities from 450 to 2,300 pounds.

- Ideal for tree service work, lot clearing, trash removal, demolition, etc.
- Upper and lower tines serrated for maximum gripping capabilities.
- Replaceable rake teeth made with high carbon steel.
- Load center is closer to the loader than on other types of grapples.
- Hoses with Ag Style 1/2" quick couplers included.
- Heat treated bushings with plated stress proof pins.
- Grapple opens to 48 inches and closes completely.
- Two 2 x 6 inch hydraulic cylinders.



Model	Width	Tines	Weight (Lbs.)	List Price
RBG2-54	54"	6	360	\$2,880
RBG2-60	60"	7	390	\$2,960
RBG2-66	66"	8	420	\$3,050

Upgrade to Flat Face Quick Coupler (HQFF)	\$85
Cap Set for Flat Face Coupler (FFCovers)	\$25
Live 3rd Function Valve Kit (12 GPM)	\$925
Selector Valve Kit (18 GPM)	\$820

Replacement Tooth Pin On (8075) (ROLPIN3/8X1.25)



ROOT RAKE - BRUSH GRAPPLE

For Skid Loaders, Compact, Farm Loaders, and Light Industrial Loaders

RBG

RBG is for loaders with lift capacities from 2,200 to 4,000 pounds.

- Ideal for tree service work, lot clearing, trash removal, demolition, etc.
- Grapple opens to 70 inches and closes completely.
- Two 2-1/2 x 8 inch hydraulic cylinders.
- Load center is closer to the loader than on other types of grapples.
- Hoses with Ag Style 1/2" quick couplers included.
- Heat treated bushings with plated stress proof pins.
- Root rake tines have high carbon steel face.



Model	Width	Tines	Weight (Lbs.)	List Price
RBG-60	60"	7	567	\$3,455
RBG-66	66"	7	630	\$3,665
RBG-72	72"	8	665	\$3,870
RBG-78	78"	8	715	\$4,305
RBG-84	84"	9	755	\$4,530
Upgrade to Flat Face Quick Coupler (HQFF)				\$85
Cap Set for Flat Face Coupler (FFCovers)				\$25
Live 3rd Function Valve Kit (12 GPM)				\$925
Live 3rd Function Valve Kit (20 GPM)				\$1,045
Selector Valve Kit (18 GPM)				\$820
Selector Valve Kit (30 GPM)				\$1,085

Replacement Tooth Pin On (8075) (ROLPIN3/8X1.25)

Replacement Tooth Weld On (RBGTOOTHPOINT)



DUAL ROOT RAKE - BRUSH GRAPPLE

For Skid Steers, Farm Loaders, and Light Industrial Loaders

- Dual Grapples for better control of uneven loads.
- Ideal for tree service work, lot clearing, trash removal, demolition service, etc.
- Load center is closer to the loader than on other types of grapples.
- Heat treated bushings with plated stress proof pins.
- Root rake tines have high carbon steel face.
- For loaders with lift capacities from 2,500 to 4,500 pounds.
- Grapple opens to 70 inches. Closes completely.
- Two 2-1/2 x 8 inch hydraulic cylinders.
- Hoses with Ag Style 1/2" quick couplers included.



Model	Width	Tines	Weight (Lbs.)	List Price
RBGD-60	60"	7	668	\$3,855
RBGD-66	66"	7	730	\$4,060
RBGD-72	72"	8	760	\$4,260
RBGD-78	78"	8	815	\$4,705
RBGD-84	84"	9	855	\$4,935

Upgrade to Flat Face Quick Coupler (HQFF)	\$85
Cap Set for Flat Face Coupler (FFCovers)	\$25
Live 3rd Function Valve Kit (12 GPM)	\$925
Live 3rd Function Valve Kit (20 GPM)	\$1,045
Selector Valve Kit (18 GPM)	\$820
Selector Valve Kit (30 GPM)	\$1,085

Replacement Tooth Pin On (8075) (ROLPIN3/8X1.25)
 Replacement Tooth Weld On (RBGTOOTHPOINT)



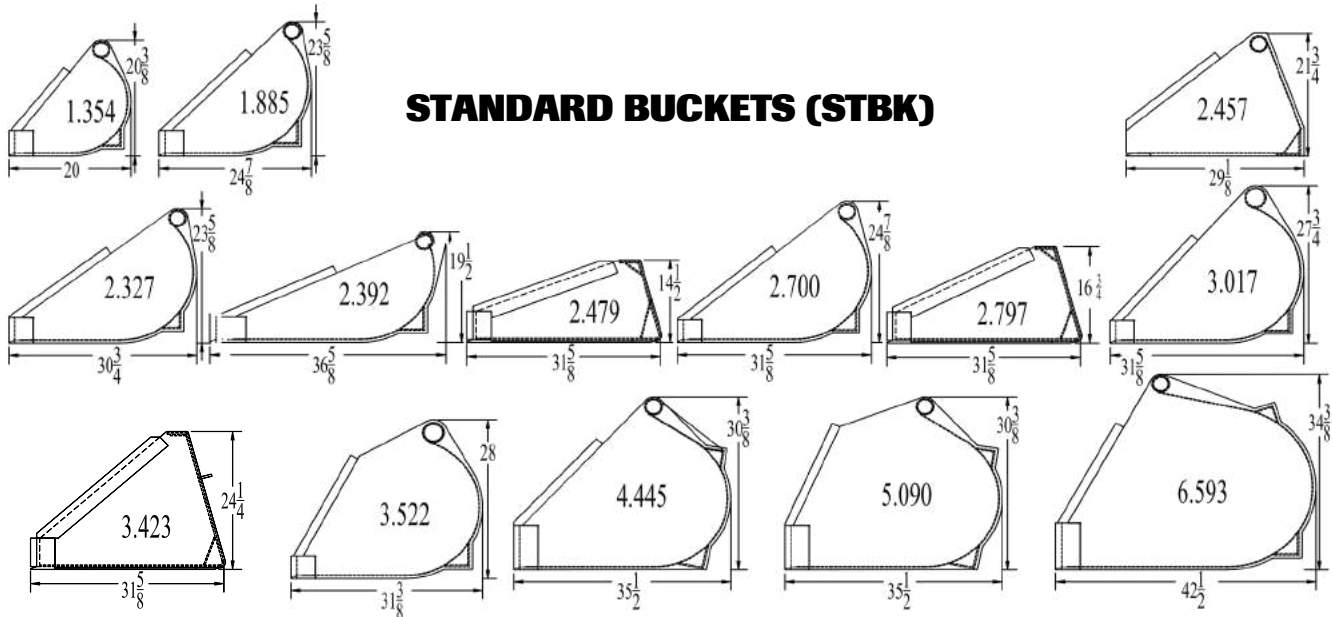
FORK LIFT GRAPPLE

- For Skid Steer Loaders, Farm Loaders and Light Industrial Loaders.
- Excellent for handling logs, pipe, poles, etc.
- Grapple clamp pulls load toward the rear, keeping the load as close to the machine as possible.
- Clamps a log as small as 7 inches. Additional forks can be added if needed.
- Opens 55 inches high.
- Lifting capacity is 4,000 pounds at 21 inch load center.
- 2-1/2 x 8 inch cylinders with 1-1/2 inch diameter rod.
- Hoses with Ag Style 1/2" quick couplers included.



Model	Width	Opening Height	Length	Weight (Lbs.)	List Price
FLG-48	12" to 51"	55"	48"	608	\$3,040

Upgrade to Flat Face Quick Coupler (HQFF)					\$85
Cap Set for Flat Face Coupler (FFCovers)					\$25
Live 3rd Function Valve Kit (12 GPM)					\$925
Live 3rd Function Valve Kit (20 GPM)					\$1,045
Selector Valve Kit (18 GPM)					\$820
Selector Valve Kit (30 GPM)					\$1,085



STANDARD BUCKETS (STBK)

Tractor Loaders - Heaped Capacity of 72" Wide Bucket

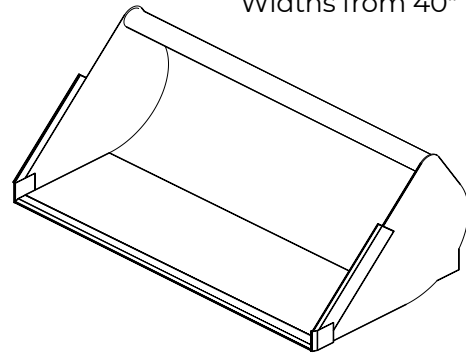
1.354 = 12.7 Cubic Feet	2.392 = 22.4 Cubic Feet	3.017 = 1.00 Cubic Yard	5.090 = 1.25 Cubic Yards
1.885 = 18.1 Cubic Feet	2.457 = 19.4 Cubic Feet	3.522 = 1.01 Cubic Yards	6.593 = 1.78 Cubic Yards
2.327 = 22.4 Cubic Feet	2.700 = 24.3 Cubic Feet	4.445 = 1.23 Cubic Yards	

Compact Utility Loaders - Heaped Capacity of 72" Wide Bucket

2.457 = 19.4 Cubic Feet	2.700 = 24.3 Cubic Feet	3.423 = 1.00 Cubic Yard
-------------------------	-------------------------	-------------------------

- We make a wide variety of standard buckets for loaders with lift capacities ranging from around 600 to 6,000 Lbs.
- All of our standard buckets are made to order so that you can satisfy your customer's needs.
- Our buckets are made with a round (12" or 14" radius) back, so that they are easy to load and unload
- The largest bucket (approximately 2-1/2 cubic yards) in our line is excellent for handling light materials such as peanuts, mulch, pine bark, chicken litter, etc.

Call for quote
Widths from 40" to 96"

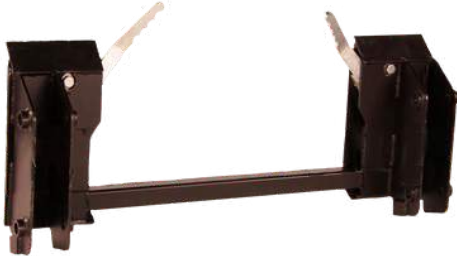


Blade Material For Replacing Cutting Edges. Blades are Single Bevel High Carbon Steel

Size - Inches	Weight	List Price
3/8 x 3 RM 70820	3.32 pounds per foot	\$9 per foot
1/2 x 4 RM 70830	6.05 pounds per foot	\$14.50 per foot
1/2 x 6 RM 70835	9.05 pounds per foot	\$23 per foot
5/8 x 6 RM 70840	12.00 pounds per foot	\$31.50 per foot
3/4 x 6 RM 70850	13.70 pounds per foot	\$34.50 per foot
3/4 x 8 RM 70860	18.50 pounds per foot	\$40 per foot



ADAPTOR PLATE



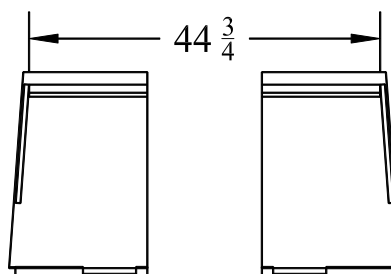
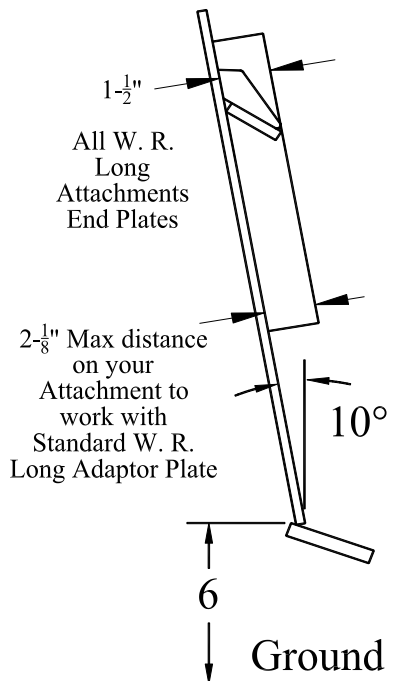
Converts your Pin On Loader to the Skid Steer (Universal Mount) style mounting bracket

Model	Weight (Lbs.)	List Price
APUM	130	\$1,100
MT-ASSY-UM	48	\$220

The Adaptor Plate has been designed to be as compact as possible, therefore the dimension from the front of the adaptor plate to the back of the adaptor plate is 2-1/8". This helps preserve the lift capacity of the loader. The width of your loader arms determine how wide the back side of the adaptor plate must be. If the center line to center line distance of your loader arms are over 40" then the back part of your adaptor plate will be wider than the front side of the adaptor plate. If the center line distance of your loader arms are over 40" and the end plates of your attachment are over 2-1/8" then you may need to modify the end plates on your attachment. See sketch below for additional information. See Web Site for more information. The APUM is not available for industrial loaders.

We have over 750 drawings on file, contact us today to see if we can convert your Pin On Loader!

Mounting Bracket Blank Drawing



Mounting Bracket (MT-ASSY-UM) to convert your attachment to the Universal Mount



FRONT BLADE



Polyurethane Blade Shown

- Made to fit Sub Compact and Compact Tractors up to 55 HP
- Blade height is approximately 22"
- Spring Trip Blade design so that blade pivots when it hits an obstruction
- Hydraulic model uses two double acting welded construction cylinders.
- Skid shoes prevent gouging by maintaining the blade at a preset height.
- Easily add cylinders and hoses to Manual model to convert to Hydraulic model
- Replaceable Cutting Edge 1/2" x 6" wide and Reversible
- Optional Polyurethane or reversible dozer blade available.
- Hoses with Ag Style 1/2" quick couplers included.
- Hydraulic Blade Angles up to 30 degrees left or right. Manual Blade angles 0, 15 and 30 degrees left or right

Model	Type	Width at 30 degrees	Weight (Lbs.)	List Price
FBM-60	Manual	55"	320	\$2,210
FBM-72	Manual	62"	345	\$2,270
FBM-84	Manual	73"	380	\$2,370
FBM-96	Manual	83"	405	\$2,455
FBH-60	Hydraulic	55"	335	\$2,760
FBH-72	Hydraulic	62"	360	\$2,825
FBH-84	Hydraulic	73"	395	\$2,920
FBH-96	Hydraulic	83"	420	\$3,005
Kit to convert Manual to Hydraulic (FBHYDKIT)			20	\$620
Cross Over Relief Valve (FB Relief)			7	\$130
Live 3rd Function Valve Kit (12 GPM)				\$925
Upgrade to Flat Face Quick Coupler (HQFF)				\$85
Replacement Blade 1/2 x 6 x 60" / 72" / 84" / 96"			51 / 61 / 71 / 81	\$130 / \$150 / \$200 / \$225
Reversible Dozer Blade 60" / 72" / 84"			44 / 52 / 60	\$115 / \$130 / \$165
Optional Polyurethane Blade 60" / 72" / 84" / 96"			29 / 35 / 41 / 47	\$240 / \$295 / \$330 / \$380
Polyurethane Blade Support Cover with Bolts			15 / 18 / 21 / 24	\$90 / \$105 / \$115 / \$125

(FB RepBlade) (RM70800/RM70810) (FB Poly Blade) (FB SuppPoly) (5 bolts for 60", 6-72", 8-96" Blade) (5/8-11x2 or 5/8-11x2-1/2)



FRONT BLADE X

- Made to fit 50 to 90 HP Tractors
- Mold Board height approximately 30"
- Spring Trip Blade design so that blade pivots when it hits an obstruction.
- Two additional springs can be added easily
- Hydraulic model uses two double acting welded construction cylinders. Includes Cross Over Relief Valve.
- Skid shoes prevent gouging by maintaining the blade at a preset height.
- Easily add cylinders and hoses to Manual model to convert to Hydraulic model
- Replaceable Cutting Edge 1/2" x 6" wide and Reversible
- Optional Polyurethane or reversible dozer blade available.
- Hoses with Ag Style 1/2" quick couplers included.
- Hydraulic Blade Angles up to 30 degrees left or right.
- Manual Blade angles 0, 15 and 30 degrees left or right



Model	Type	Width at 30 degrees	Weight (Lbs.)	List Price
FBXM-84	Manual	73"	720	\$3,900
FBXM-96	Manual	83"	746	\$4,000
FBXM-108	Manual	94"	772	\$4,515
FBXH-84	Hydraulic	73"	745	\$4,700
FBXH-96	Hydraulic	83"	771	\$4,805
FBXH-108	Hydraulic	94"	797	\$5,315
Kit to convert Manual to Hydraulic (FBHXDKIT) Kit includes cylinders, pins, hoses and cross over relief valve			28	\$820
Cross Over Relief Valve (FB Relief)			7	\$130
Live 3rd Function Valve Kit (12 GPM)				\$925
Live 3rd Function Valve Kit (20 GPM)				\$1,045
Upgrade to Flat Face Quick Coupler (HQFF)				\$85
Spring Set (2 Springs & 2 Eye Bolts) (FBXSpringKit)			14	\$80
Replacement Blade 1/2 x 6 x 84" / 96" / 108"			71 / 81 / 91	\$200 / \$225 / \$250
Reversible Dozer Blade 84" / 96" / 108"			60 / 68 / 76	\$165 / \$200 / \$250
Optional Polyurethane Blade 84" / 96" / 108"			41 / 47 / 53	\$330 / \$380 / \$400
Polyurethane Blade Support Cover with Bolts			21 / 24 / 27	\$115 / \$125 / \$135

(FB RepBlade) (RM70800/RM70810) (FB Poly Blade) (FB SuppPoly)



SNOW PUSHER



Shown with back drag add-on

- Made to fit Sub Compact and Compact Tractors up to 40 HP
- Snow Pusher is 24" tall and 32" deep
- Skid pads made of high carbon steel
- Replaceable Rubber Cutting Edge is 1" thick x 6" wide; reversible and adjustable up and down
- Skid pads are also adjustable up and down
- Back drag option available

Model	Width	Weight (Lbs.)	List Price
SP-60	60"	350	\$1,440
SP-72	72"	370	\$1,550
SP-84	84"	390	\$1,685

Back Drag Upgrade 60" (SPBD-60)		\$460
Back Drag Upgrade 72" (SPBD-72)		\$490
Back Drag Upgrade 84" (SPBD-84)		\$520
Replacement Rubber 1x6x60 Blade (SPRB60Prem)	17	\$220
Replacement Rubber 1x6x72 Blade (SPRB72Prem)	20	\$265
Replacement Rubber 1x6x84 Blade (SPRB84Prem)	23	\$300
Replacement Metal 1/2x6x60 Blade (SPMetal60)	54	\$150
Replacement Metal 1/2x6x72 Blade (SPMetal72)	60	\$165
Replacement Metal 1/2x6x84 Blade (SPMetal84)	66	\$180



HAY ACCUMULATOR & GRAPPLE

Hay Accumulator

- No Moving Parts
- Bolt on Mounting Brackets
- Mount on Tractor or Skid Steer
- Does Not slow down Baler
- Accumulate 1 to 10 bales of hay
- 94-1/2" wide by 93" not including mounting brackets



Hay Grapple

- Bolt on Mounting Brackets
- Grapple up to 10 bales of hay
- Removable leg with storage compartment
- Twenty Hay Hooks
- High quality welded cylinders
- 71-1/2" wide by 95-1/4" long by 25-1/2" tall not including mounting brackets Hoses with Ag Style 1/2" quick couplers included.

Model	Weight (Lbs.)	List Price
HA-10 Hay Accumulator for up to 10 square bales	520	\$3,900
HG-10 Hay Grapple for up to 10 square bales	585	\$4,510
HBOMB Additional HA, HG, HGA Bolt On Mounting Brackets	80	\$425
Upgrade to Flat Face Quick Coupler (HQFF)		\$85



GRAPALATOR

Grapalator

- Accumulate and Grapple up to 10 bales of hay
- Bolt on Mounting Brackets
- Works with bales of hay from 34" long to 42" with no modifications. Shorter bales with minimum modifications.
- 86-5/8" wide by 95-1/4" long not including mounting brackets
- HGARR has removable rails, which allows hay to be unloaded.
- HGARR Can be converted in less that 2 minutes.
- Hoses with Ag Style 1/2" quick couplers included.



Bale Spear

- Same frame as Fork Attachment or Pallet Fork.
- One tapered main spear 49-1/4" long with two stabilizer spears.

Model		Weight (Lbs.)	List Price
HGA-10	Hay Grapalator for up to 10 square bales of hay	780	\$5,245
HGARR-10	Hay Grapalator with Removable Rails	795	\$5,485
Upgrade to Flat Face Quick Coupler (HQFF)		2	\$85
HBOMB	Additional HA, HG, HGA Bolt On Mounting Brackets	80	\$425
BSFA	Bale Spear 3,500 pound (can be converted to FA)	240	\$830
BSPF	Bale Spear 3,500 pound (can be converted to PF)	240	\$830
FAXBS	Kit to convert Bale Spear to Fork Attachment	215	\$565
PFXBS	Kit to convert Bale Spear to Pallet Fork	188	\$565



ROUND BALE MOVER

- Easily moves and repositions round bale hay wrapped with Net Wrap.
- Arms do not hug bale, therefore bale can be tightly positioned next to another bale of hay.
- Allows hay to be stacked as shown in photo below allowing more hay storage per square foot.
- Two welded construction double acting cylinders standard.
- Easily replaceable fingers.
- Hoses with Ag Style 1/2" quick couplers included.



The Round Bale of hay must be wrapped tight for the RBM to pick it up without the bale coming apart. The larger and heavier the bale of hay the more important it is for the bale to be tight. With a tight bale of hay the RBM will handle 4' up to 5' foot diameter bales easily again depending on the strength of the bale of hay. The RBM-24 is a better choice for bales 5 to 6 foot in diameter. If you choose the RBM and later decide you actually need the RBM-24 then a set of extensions can be purchased to extend your RBM arm length an additional 14". The length and thickness of the hay is also a factor in the strength of the bale of hay.



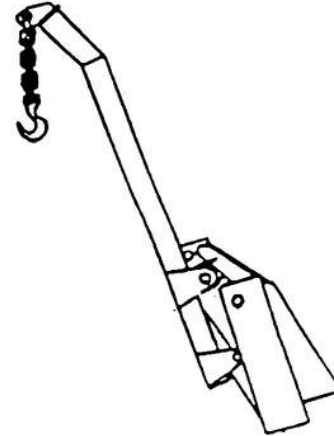
Model	Bale Diameter	Weight (Lbs.)	Distance from Pivot Point to Fingers	List Price
RBM	4 to 5 Foot	325	10"	\$2,160
RBM-24	4-1/2 to 5-1/2 Foot	375	24"	\$2,410
RBM Extensions	4-1/2 to 5-1/2 Foot	80	24"	\$605

Live 3rd Function Hydraulic Valve Kit (12 GPM)	\$925
Selector Valve Kit (18 GPM)	\$820
Upgrade to Flat Face Quick Coupler (HQFF)	\$85



BOOM ATTACHMENT (Tree Boom)

- For loading, unloading, transporting and planting trees.
- Excellent Skid Loader Attachment for Landscapers and Nurserymen.
- Also for general use as a lift boom.
- Boom can be added to our Pallet Fork
- Attachment in a kit form.
- Fork Lift Attachment can be added to the
- Tree Boom in a kit form.
- For Loaders up to 3,500 pounds lift capacity.



Model	Reach from Loader Pivot	Lift capacity with boom in horizontal position (Lbs.)	Weight (Lbs.)	List Price
BAL	66" Approximate	*1,500	190	\$935
BA	66" Approximate	*2,000	243	\$1,140
IBA	66" Approximate	*2,750	405	\$1,800

BA-Boomkit	For adding a boom to the W.R. Long fork attachment FA48	100	\$595
Fork Lift Kits	For adding to Boom Attachment, includes 2 forks, stress proof shaft	245	\$570

*Caution: May exceed tipping load of some loaders



SOD ROLLER

Sod Roller for Compact Utility Loaders

- Pick up, Transfer, and Un Roll Sod with out dismounting machine.
- Arms are reversible which allows the Sod Roller to handle Rolls from 21", 30" and 42" wide.
- Apply hydraulic pressure to transport and position roll. Reduce hydraulic pressure to unroll sod.
- If sod tears or overlaps simply apply hydraulic pressure to arms reposition and start unrolling again.
- Flat Face Couplers and Hoses included



Model	Width	Weight (Lbs.)	List Price
SR-21-42	21" to 42"	168	\$1,930

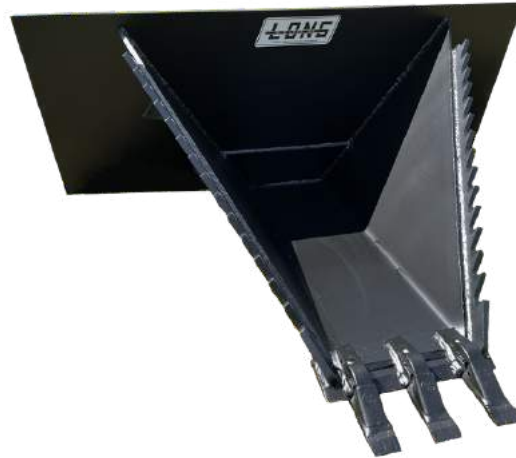
Cap Set for Flat Face Coupler (FFCovers)	\$25
--	------

Other Equipment for the Mini Skid Steers

FTB-40	See Page 1 for details	\$345
HOL-42	See Page 5 for details	\$695
FAL-42	See Page 6 for details	\$935
HJ2L-40	See Page 10 for details	\$2,235
UJ2LP-36, 44, 48, 52, 60	See Page 11 for details	\$2,715 to \$2,985
GPL-40	See Page 17 for details	\$2,865
OBG2-48	See Page 18 for details	\$2,005
RBG3-40	See Page 21 for details	\$3,390
BAL	See page 32 for details	\$935
TSL	See page 34 for details	\$795



TREE SPADE



- The Tree Spade "TS" is for Skid Steers, Farm Loaders, Compact Loaders and Subcompact Loaders
- The Tree Spade Light "TSL" is for Mini Skid Steers
- Excellent for transplanting shrubs or trees
- Three Hardened teeth on front for concentrated digging
- Dig up stumps and larger rocks
- Prepare new ditches or clean out existing ditches

Model	Length of Spade	Weight (Lbs.)	List Price
TS	36"	342	\$1,195
TSL	30"	185	\$795



MANURE FORK



- Made to fit Loaders with lift capacities up to 2,500 Pounds
- Manure fork is 24" (not including mounting bracket) from front to back and 21" high Manure Tines are 1-1/2" Diameter by 20" Long
- Tines Easily Replaceable
- Hoses with Ag Style 1/2" quick couplers included.
- Available with or without grapple

Model	Width	Number of Tines	Weight (Lbs.)	List Price
MAF-61	61"	9	320	\$1,050
MAF-68	68"	10	345	\$1,115
MAF-75	75"	11	375	\$1,185

Manure Fork with Dual Grapples

Model	Width	Number of Tines	Weight (Lbs.)	List Price
MAFWG-61	61"	9	475	\$2,455
MAFWG-68	68"	10	505	\$2,525
MAFWG-75	75"	11	535	\$2,595

Upgrade to Flat Face Quick Coupler (HQFF)	\$85
---	------