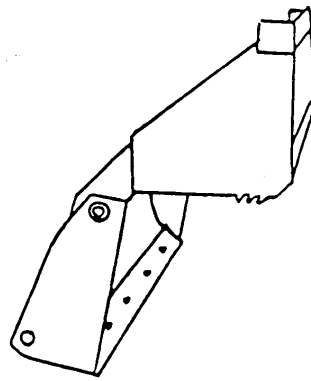


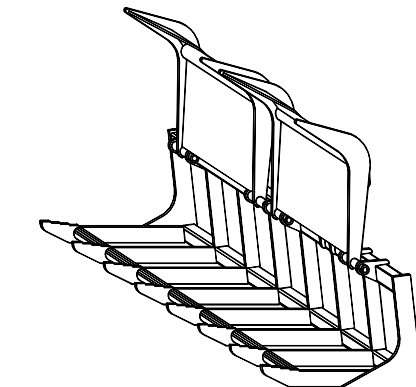
Hydro Jaw HD 4-N-1 Bucket

The HD is for Skid Steers with lift capacities from 1,000 to 2,500 pounds. The HDX is for Skid Steers with lift capacities from 2,250 to 4,000 pounds. Jaw opens to 36" and has 2-1/2" diameter hydraulic cylinders. Bucket has bolt on reversible dozer blade. The HD bucket comes in widths from 60" to 84" and capacities from 14 to 20 cubic feet.



Hydro Jaw Industrial 4N1 Bucket

For Industrial Loaders with lift capacities up to 6,500 pounds. This bucket comes in widths from 80" to 92" and capacities from 0.875 to 1.25 cubic yards. Bucket shown with optional Fold over Forks. Fold over Forks also available for other manufactures 4N1 and Standard buckets.

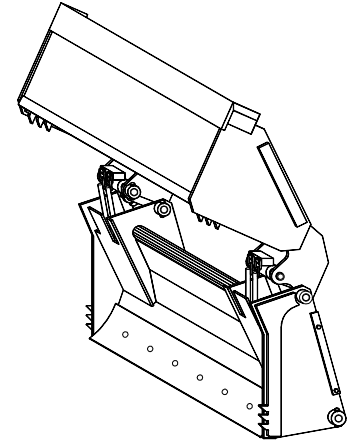


Open Bottom Grapple

The Open Bottom Grapple is designed for tractor loaders with lift capacities from 900 to 2,000 pounds. The OBGs come in widths from 48" to 72" and the grapple opens to 44"

QUALITY LINE OF LOADER ATTACHMENTS

Made to fit more than 750 loaders and skid steers

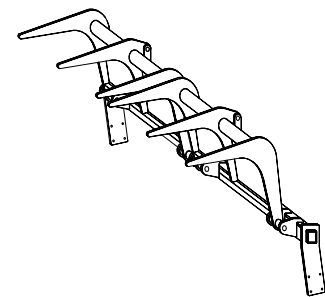


Ultra Jaw Low Profile for Track Loaders

The UJXLP is for Track Loaders with tipping capacities from 4,000 to 10,000 pounds. This 4-N-1 bucket opens up to 48" which gives a much larger opening that most 4-N-1 buckets. The UJXLP bucket comes in widths from 66" to 84" and capacities from 17 to 21 cubic feet.

Electric/Hydraulic Valve Kit

The electric over hydraulic valve kit gives you the capability to not only raise/lower and dump/curl your loader but also open/close your attachment all at the same time. The kit is custom designed for most current model loaders and for many out of production loaders. The valve kit comes with a valve, handle with rocker switch, bracket, hoses, instructions, and other miscellaneous hardware like nuts and bolts to give a complete kit.

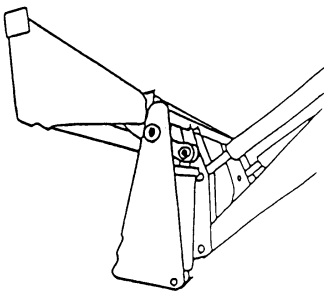


Bolt On Grapple

Made to bolt on to Tractor Loader Buckets from 48" to 72" wide.

Ultra Jaw 4-N-1 Bucket

The UJ2 is for compact loaders with lift capacities from 1,100 to 2,000 pounds. Jaw opens to 34" and has 2-1/2" diameter hydraulic cylinders. The UJ1 and UJ1X are for loaders with lift capacities from 2,000 to 4,000 pounds. Jaw opens to 45" and has 2-3/4" diameter cylinders. The UJ and UJX are for loaders with lift capacities from 2,500 to 5,000 pounds. Jaw opens to 48" and has 3" diameter cylinders. These buckets come in widths from 60" to 84" and capacities from 10 to 22 cubic feet. The "Ultra-Jaw" series provides a much bigger opening (up to 50%) than previous designs. The cylinders are enclosed front and rear. Bucket has bolt on reversible dozer blade.

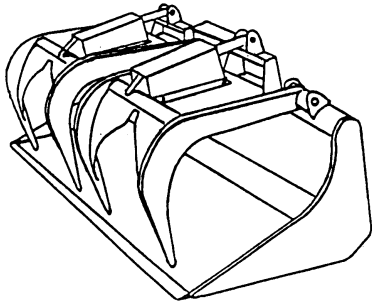


Hydro Jaw 4-N-1 Bucket

The HJ2L is for Sub-Compact Loaders and also for Mini-Skid Steers with lift capacities from 450 to 900 pounds. The HJ2 is for Compact Loaders with lift capacities from 800 to 1,100 pounds. These buckets come in widths from 40" to 72" and capacities from 6 to 11 cubic feet.

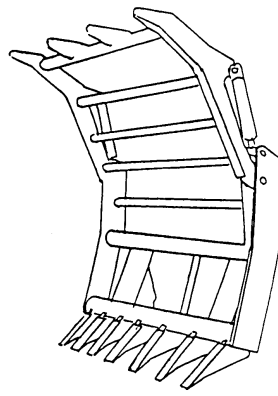
www.wrlonginc.com 1607 Cedar St. - P. O. Box 460 - Tarboro, NC 27886 - 252-823-4570

Lift capacities are determined at the center point of the bucket. If your loader lift capacity is specified at the pivot pin then multiply your lift capacity by 0.85 for a more accurate figure.



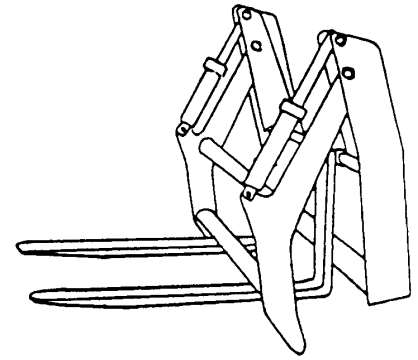
Grapple

The GPL is for skid steers and loaders with lift capacities from 800 to 1,500 pounds. The GP is for skid steers and loaders with lift capacities from 1,500 to 4,000 pounds. Is available in widths from 60" to 84". Ideal for handling scrap, logs, brush, pipe, recyclable materials, etc. Dual cylinders for better control of uneven loads. Made extra strong for industrial use.



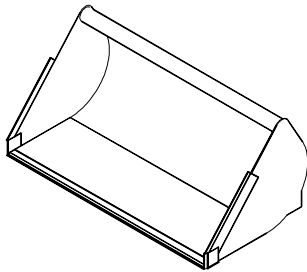
Root Rake Brush Grapple

Ideal for tree service work, lot clearing, trash removal, etc. The RBG2 is for mini skid steers and loaders with lift capacities from 500 to 1,400 pounds. The RBG2 opens to 48" and is available in widths from 38" to 60". The RBG is for skid steers and loaders with lift capacities from 1,400 to 4,000 pounds. The RBG opens to 70" and is available in widths from 60" to 84". High carbon steel rake teeth. The RBG is also available with dual grapples.



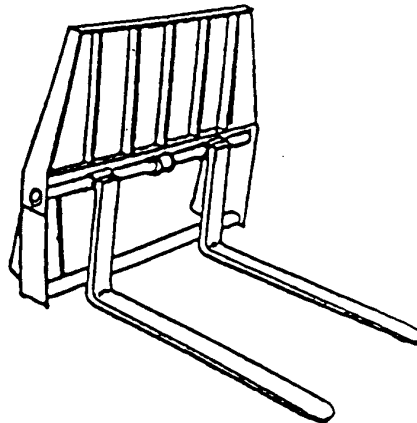
Fork Lift Grapple

For Skid Steers, Compact, Farm, and Light Industrial Loaders. Excellent for handling logs, pipes poles, etc. Opens to 55" and closes to 7". The grapple clamp pulls the load toward the rear keeping the load center as close to the machine as possible. Lifting capacity is 3,500 pounds at 21" load center. Additional forks can be added if needed.



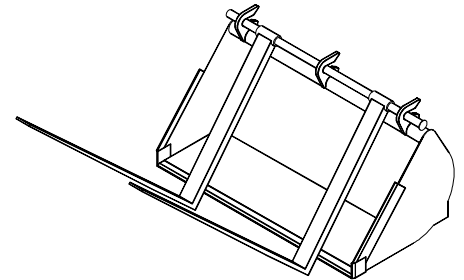
Standard Bucket

Non 4N1 Bucket. Can be made to fit almost any loader. Sizes from 1/3 yard to over 2 yards. Widths from 40" to 100". Designed and built to suit customer requirements.



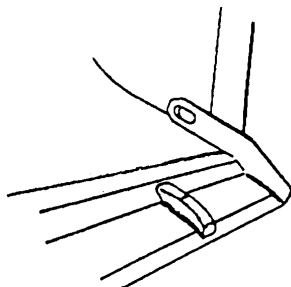
Fork Lift Attachment

The FAL has a lift capacity of 1,500 pounds. The forks adjust from 12" to 38" or 46" depending on tractor and comes with fork lengths of 36" or 42". The FA has a lift capacity of 3,500 pounds. The forks adjust from 12" to 51" and come with fork lengths of 42" and 48". The IFA is also available with lift capacities of 4,500 and 6,500 pounds. Back guard is standard equipment. Solid high carbon steel forks.



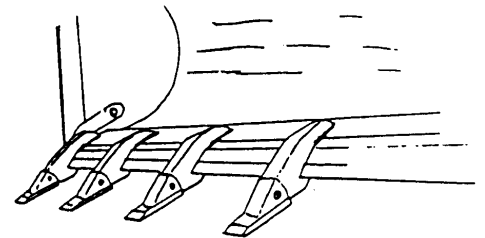
Hook On Fork Attachment

Change front end loader to fork lift in seconds. Mounts without tools or labor. Solid high carbon steel forks. Extra brackets available for using forks on more than one bucket. Available in 1,500, 3,500, 4,500, and 6,500 pound forks.



Wear Blades

Wear Blade is mounted under the bucket cutting edge and is secured with two bolts through the end plates. Eliminates the need for cutting and welding in a new blade. Simply supply the inside dimension of your bucket and we will make your custom fit wear blade.



Tooth Bar and Flat Tooth Bar

Tooth Bar is mounted onto the bucket cutting edge and is secured with two bolts through the end plates. Simply supply the inside dimension of your bucket and we will make your custom fit tooth bar. A Flat Bottom Tooth Bar is also available, which gives a smooth surface when back dragging.